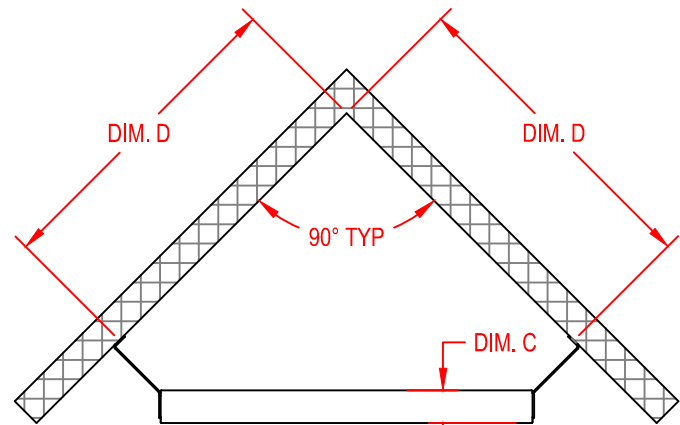


DISPLAY	DIM. A		DIM. B		DIM. C		DIM. D		DIM. E		HANGING WEIGHT	
MS-0140	42.00"	1.067m	48.00"	1.219m	4.25"	0.108m	41.57"	1.056m	36.00"	0.914m	50 LBS	23 KG
MS-0108, MS-0111, MS-0112, MS-0141	56.00"	1.422m	48.00"	1.219m	4.25"	0.108m	41.57"	1.056m	50.00"	1.270m	60 LBS	27 KG
MS-0109, MS-0113, MS-0142	70.00"	1.778m	48.00"	1.219m	4.25"	0.108m	41.57"	1.056m	64.00"	1.626m	70 LBS	32 KG
MS-0110	84.00"	2.134m	48.00"	1.219m	4.25"	0.108m	41.57"	1.056m	78.00"	1.981m	80 LBS	36 KG

DISPLAY	MAX POWER CONSUMPTION
MS-0108	200 W
MS-0109	250 W
MS-0110	280 W
MS-0111	120 W
MS-0112	150 W
MS-0113	170 W
MS-0140	100 W
MS-0141	120 W
MS-0142	140 W

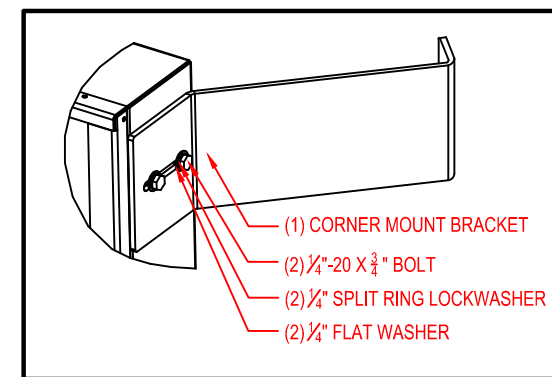


**NOTES:**

- POWER AND DATA CABLES MUST BE ROUTED IN SEPARATE CONDUIT
- CTS SUGGESTS 1/2" CONDUIT FOR ALL BURIED CABLE
- THE DISPLAY IS EQUIPPED WITH A 14' POWER CABLE WITH A NEMA 5-15R PLUG. NOTE THE EXIT LOCATION IS ON THE BOTTOM OF THE DISPLAY. THIS CABLE IS ONLY TO BE USED IN EITHER INDOOR APPLICATIONS OR OUTDOOR APPLICATIONS IN CONJUNCTION WITH AN OUTDOOR RATED RECEPTACLE. POWER CAN BE REROUTED TO EXIT THE REAR OF THE DISPLAY BY A CERTIFIED ELECTRICIAN.
- IF USING WIRED DATA, TERMINATE DATA CONDUIT TO JUNCTION BOX NEAR DATA JACK LOCATION
- ALL ATTACHMENT HARDWARE TO BE ORDERED SEPARATELY
- CTS ASSUMES NO RESPONSIBILITY FOR INSTALLATIONS DONE BY OTHERS
- THIS SIGN IS INTENDED TO BE INSTALLED IN ACCORDANCE WITH THE REQUIREMENTS OF ARTICLE 600 OF THE NATIONAL ELECTRIC CODE AND/OR OTHER APPLICABLE CODES. THIS INCLUDES PROPER GROUNDING AND BONDING OF THE SCOREBOARD

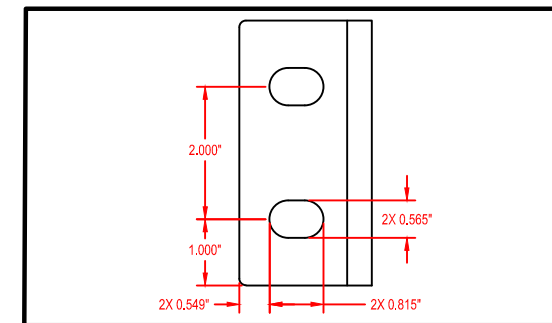
**INSTALLATION PROCEDURE:**

1. ATTACH (4) CORNER MOUNT BRACKETS TO SCOREBOARD IN LOCATIONS SHOWN, USING 1/4" HARDWARE

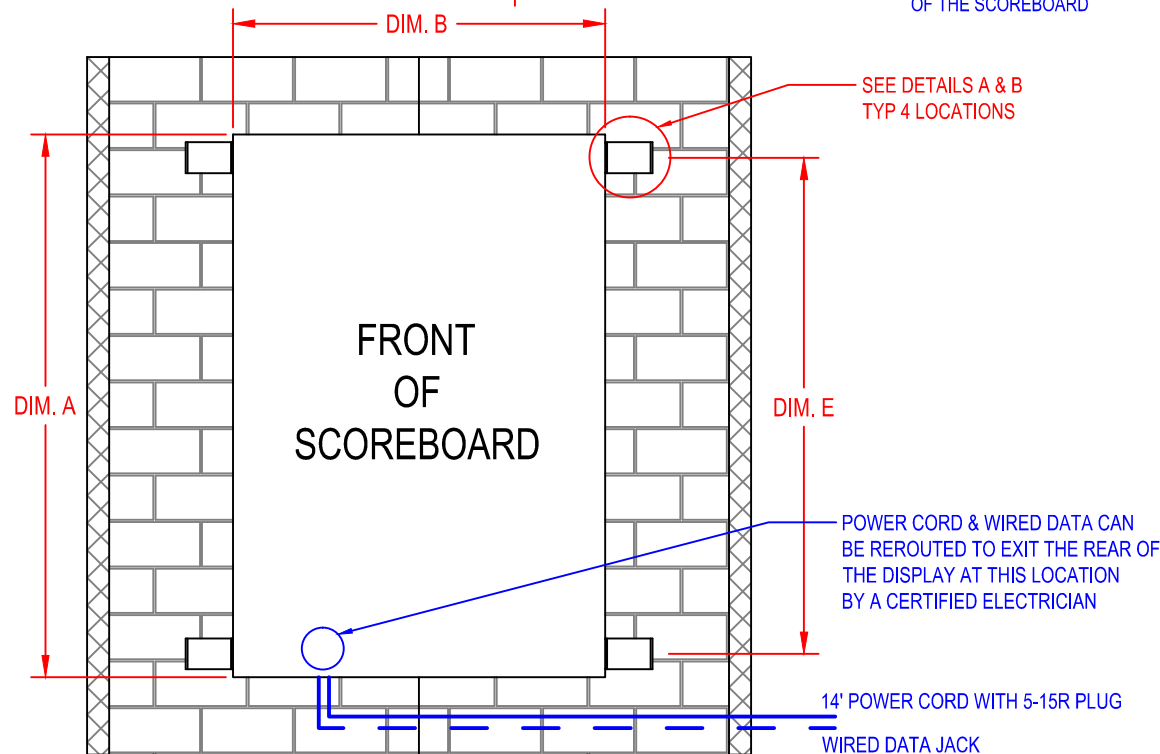


DETAIL A  
CORNER MOUNT BRACKET- SCOREBOARD ATTACHMENT  
4 LOCATIONS

2. SECURE CORNER MOUNT BRACKETS TO WALL/STRUCTURE USING APPROPRIATE HARDWARE  
-HARDWARE TO BE SPECIFIED AND APPROVED BY OTHERS



DETAIL B  
CORNER MOUNT BRACKET- WALL ATTACHMENT  
4 LOCATIONS



REV	DESCRIPTION	DATE	APP
B	REVISE BRACKET TO R-080-717B	5/14/14	PJS
A2	EDIT BOLT LENGTH	5/5/14	PJS
A1	EDIT FAMILY TABLE	3/31/14	PJS
A	INITIAL RELEASE	11/18/13	PJS

**REVISIONS**

THE INFORMATION ON THIS DRAWING IS SUBJECT TO CHANGE WITHOUT NOTICE

	<b>TRADE SECRET</b> <small>The information and data contained herein is secret and is submitted in confidence, and shall not be disclosed, used, or duplicated for any purpose whatsoever without the prior written permission of Colorado Time Systems, Inc., 1551 E. 11th Street, Loveland Colorado, 80537. This legend shall be marked on any reproduction hereof in whole or in part. Receipt of this document shall be deemed to be an acceptance of the conditions specified herein.</small>	DIMENSIONS ARE REPRESENTED AS FOLLOWS: INCH [MM]		DRAWN BY P.SCHIEL	DATE 11/18/13	<b>TITLE</b> 5" MULTI-LINE CORNER WALL MOUNT INSTALL DETAILS		1551 E. 11th. St. Loveland, CO 80537 P: (970) 667-1000 F: (970) 667-5876 WWW.COLORADOTIME.COM	SIZE B	DRAWING NUMBER S2013-001-053	REV. B
		TOLERANCES EXCEPT AS NOTED INCHES: X ± 0.02 MM: X ±		ENG. APPROVAL PROJECT ENG.	DATE				DATE		

**WWW.COLORADOTIME.COM**