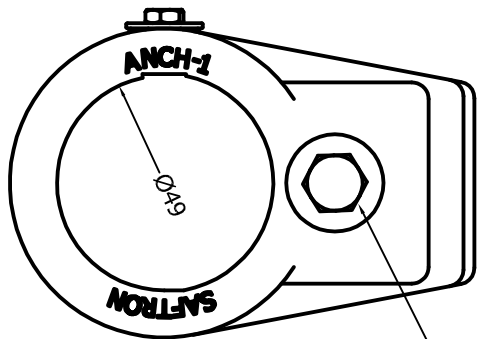
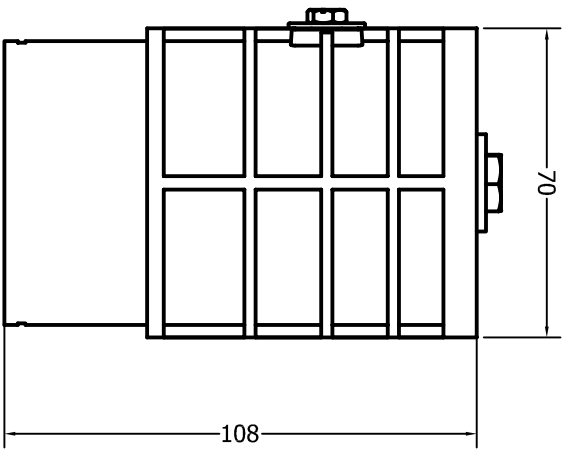
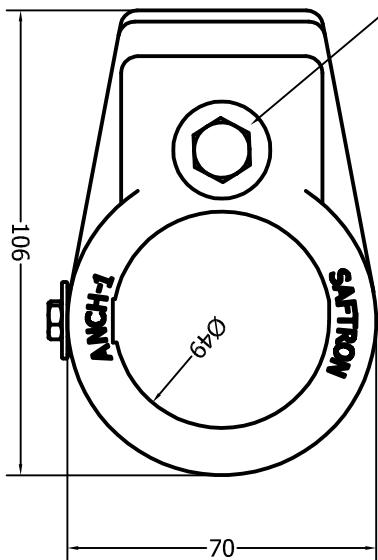


ANCH-1 HARDWARE

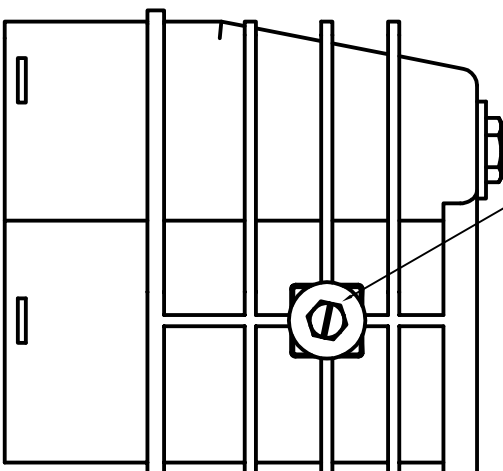
SAFTRON MANUFACTURING



5/16" SS HEX BOLT
TO TIGHTEN WEDGE



GROUNDING
CONNECTOR



ANCH-1

SAFTRON ANCHOR SOCKET

ALL DIMENSIONS ARE IN mm

SAFTRON BY AQUATIC ELEMENTS

Aquatic Elements P/L

2 Hayter Street

Currumbin QLD 4223

Phone: 07-5534 3136 | Fax: 07-3259-8519

Website: www.aquaticelements.com.au

SERIES: ANCH-1 ANCHOR SOCKET

PREPARED BY: MATT FLUEHMANN

APPROVED BY:

PROJECT :

QTY:

COLOR:

ISSUED : 11/02/2017

SCALE : NTS

DRAW. NO. SB-F BASE