

GLOBAL ANTI GOAL COMPETITION GOAL



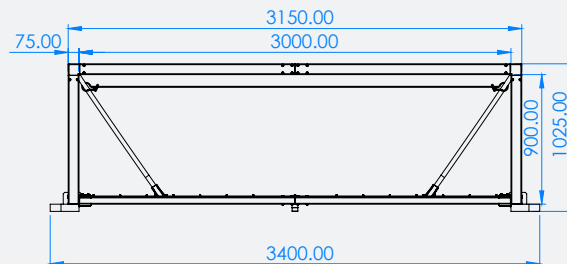
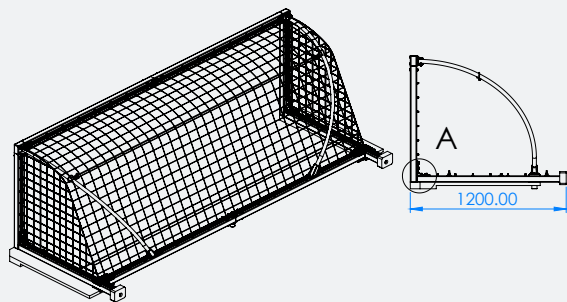
Full-sized folding pro goal

The Global Anti Goal blends cutting edge materials and production with innovative design, resulting in a lightweight, heavy duty, compact, full sized polo goal that meets the needs of all clubs and facilities around the world.

- Fabricated from custom marine grade powder coated aluminium extrusions with HD marine nylon & SS316 fittings for durability
- Foldable, take down design for compact and safe poolside storage.
- Easy to install, newly designed marine nylon net clips ensure a solid connection between net and goal and simple secure installation of the net to the goal
- Available in 1.2m and 1.4m depth configuration to suit the needs of all pools. (1.4m is FINA spec.)
- Net is heavy duty, polypropylene cord, knotted at every intersection
- Marine nylon pool edge bumpers on rear of frame prevent chipping of pool tiles and guttering when installing and removing from pool
- Durable, oversized HDPE flotation elements rest on the pool concourse ensuring no damage to pool edge and tiles, or scraping of the goal body during install or removal
- Open corner net configuration to reduce ball rebound



SPECIFICATIONS



GLOBAL ANTI GOAL

Model/Item No.	Description	SHIPPING	
		Weight	Volume
14-61-012G	Global Anti Goal 1.2m depth	25kg	0.30m ³
14-61-014G	Global Anti Goal 1.4m depth	25kg	0.30m ³