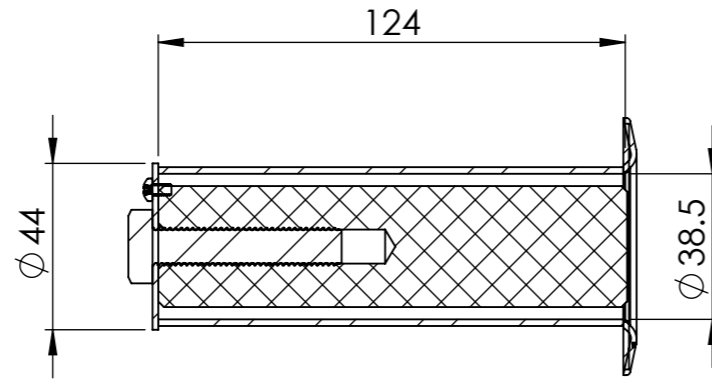
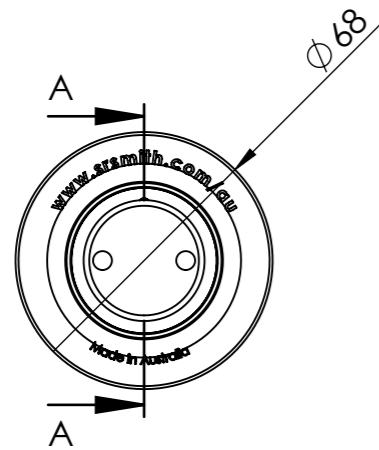
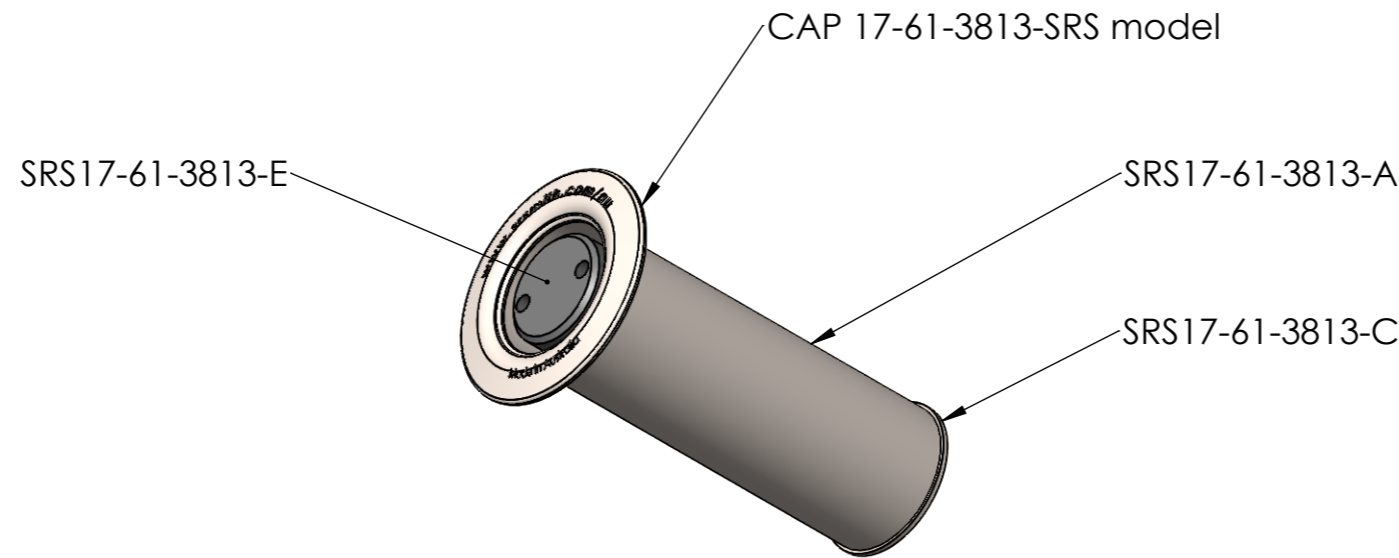
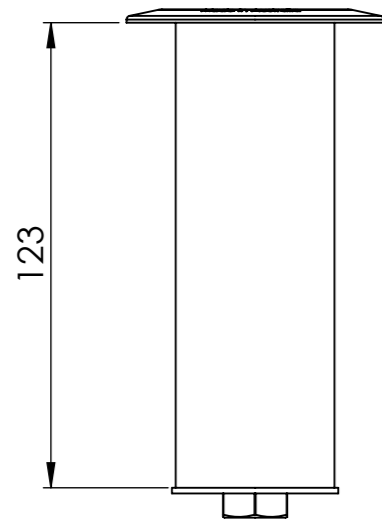
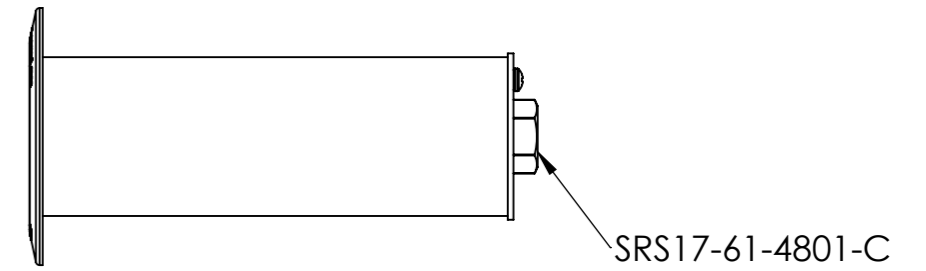



ITEM NO.	PART NUMBER	DESCRIPTION	QTY.
1	SRS17-61-3813-A	316 DECK HOLE 38MM, TUBE BODY	1
2	SRS17-61-3813-C	316 DECK HOLE 38MM, BTM CAP	1
3	SRS17-61-4801-C	DECK HOLE -SSHCISM1050MM	1
4	SRS17-61-3813-E	DECK HOLE - NYLON 26OD	1
5	CAP 17-61-3813-SRS model		1



SECTION A-A



CLIENT:		PROJECT:		 <i>Serious Equipment - Serious Fun - Access for All</i> SRS Australia PTY LTD 12 Enterprise Street, Richlands QLD 4077 P +61 7 3812 2283 F +61 7 3812 1187	
UNLESS OTHERWISE SPECIFIED: DIMENSIONS ARE IN MILLIMETERS		FINISH: Polished S/S			
SURFACE FINISH:					
TOLERANCES:				TITLE: 17-61-3813 Ø 38 DECK HOLE SS 316	
LINEAR:				DWG NO. 17-61-3813-SRS model	
ANGULAR:				A3	
NAME	SIGNATURE	DATE	DO NOT SCALE DRAWING		
DRAWN: OEH		03/08/16			
CHK'D:					
APPV'D:					
THE INFORMATION CONTAINED IN THIS DRAWING IS THE SOLE PROPERTY OF SRSMITH AUSTRALIA Pty Ltd. ANY REPRODUCTION IN PART OR IN WHOLE WITHOUT THE WRITTEN PERMISSION OF SRSMITH AUSTRALIA Pty Ltd IS PROHIBITED.			MATERIAL: 316L SS		REVISION: 1
			WEIGHT:		SCALE: 1:2
					SHEET 1 OF 2